



File Name: buzzy buzzy bee manual.pdf

Size: 1413 KB

Type: PDF, ePub, eBook

Category: Book

Uploaded: 6 May 2019, 22:43 PM

Rating: 4.6/5 from 600 votes.

Status: AVAILABLE

Last checked: 2 Minutes ago!

In order to read or download buzzy buzzy bee manual ebook, you need to create a FREE account.

[**Download Now!**](#)

eBook includes PDF, ePub and Kindle version

[Register a free 1 month Trial Account.](#)

[Download as many books as you like \(Personal use\)](#)

[Cancel the membership at any time if not satisfied.](#)

[Join Over 80000 Happy Readers](#)

Book Descriptions:

We have made it easy for you to find a PDF Ebooks without any digging. And by having access to our ebooks online or by storing it on your computer, you have convenient answers with buzzy buzzy bee manual . To get started finding buzzy buzzy bee manual , you are right to find our website which has a comprehensive collection of manuals listed.

Our library is the biggest of these that have literally hundreds of thousands of different products represented.



Book Descriptions:

buzzy buzzy bee manual



During the migration process, uploads and reuploads will be disabled. We expect this migration to take a couple days. Thanks for your patience. All rights reserved. This site is a part of Fandom, Inc. During the migration process, uploads and reuploads will be disabled. We expect this migration to take a couple days. Thanks for your patience. All rights reserved. This site is a part of Fandom, Inc. For best pain relief, the wings must be frozen solid to avoid absorbing vibration. For the XL, slide the ice wings through the elastic strap on the back of Buzzy. Then move Buzzy up and secure there during the injection. Buzzy must be placed proximal to the pain to be most effective. Buzzy goes between the pain and the brain. Buzzy mini has an automatic shutoff feature after 3 minutes. Do not autoclave. Do not submerge in liquid. Soiled wings should be disposed and replaced. Do not autoclave. Do not immerse in liquid. Healthcare wings are the only wings that can be cleaned between patients. Soft-sided wings should be disposed after use. When injecting, Buzzy should go directly on the intended needle site, then be moved proximally during the procedure. When using Buzzy for IV access or a blood draw or fingerstick, just place Buzzy proximally immediately prior to and during the procedure. For more details see below. In other words, Buzzy should be placed along the path of the nerve to best interrupt the pain signals journey from your skin to the brain. The nerves travel in territories called "dermatomes". If you've ever seen shingles, the very abrupt outlines of the rash come because shingles affects skin by irritating the nerves in one or more dermatomes. This picture shows Buzzy optimally placed to decrease pain in the C6 dermatome. Other places on the body, the regions get a little more complicated. This diagram shows positioning of Buzzy for a procedure on the line between T10 and

T11. <http://www.e-skala.pl/userfiles/dell-powerconnect-2808-user-manual.xml>

- **buzzy buzzy bee manual, buzzy buzzy bee manual pdf, buzzy buzzy bee manual download, buzzy buzzy bee manuals, buzzy buzzy bee manual free.**



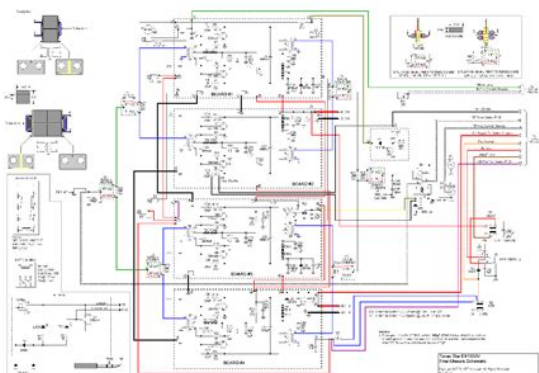
Imagine the nerves coming out from the spine and wrapping horizontally around the stomach and chest. This Buzzy is in great position for a poke between the bellybutton and Buzzy's bottom. First place Buzzy directly on the intended site to desensitize the area. Thighs are a bit tricky, because the dermatomes curve from backside toward the knee. Buzzy's motor is at his larger rounded tail end away from the switch, so the bigger rounded end should be closer to the shot, and Buzzy's "head" should be closer to the actual head or spine. Leave the ice pack in place for this whole process if tolerated ice adds about 60% of the pain relief. Buzzy XL may be better for this, as it is slightly larger and covers more area. For a gluteal injection in the upper outer quadrant of the buttock, after desensitizing the area 6090 seconds, Buzzy will be angled and slightly closer to the spine. In general, imagine the foot divided lengthwise into three stripes, and place Buzzy closer to the leg in the same stripe. For upper lip or mandible procedures, placement slightly above and lateral would be correct. Instead, place him 23 cm proximal toward the person's head and begin cleaning and the process of drawing blood immediately after placement. While Buzzy can have ice packs for lab draws, some people will have "cold agglutinins" that can cause platelets to clump if the ice is left in place too long. Studies have actually found IMPROVED success using Buzzy rather than vasoconstriction, likely because the warm venous blood is flowing TOWARD Buzzy. Powered by Shopify. Bay Tek Year Know anything about this game. Then why not contribute a description. Census data currently includes 149,016 machines 6,450 unique titles. Rare There are 2 known instances of this machine owned by Buzzy Buzzy Bee collectors who are active members. Of these, 2 of them are original dedicated machines Wanted No active members have added this machine to their wish list. Contribute a description or text information. <http://www.prvnistaticka.cz/userfiles/dell-powerconnect-2816-user-manual.xml>



Please consider donating to the International Arcade Museum Library [eBay Listings](#) [Click to search eBay for Buzzy Buzzy Bee Arcade machines and related items.](#) [Click to search eBay for machines and parts made by Bay Tek.](#) If you wish to use material from our web sites, please take a look at our [Acceptable Use, Copyright, and Trademark Page](#). Except as described on that page, any use of the information found here may not be copied or reprinted on any medium, either physical or electronic, without the express written. [Learn more.](#) The latest addition to Minecraft recently has been the arrival of, you guessed it, bees. In this guide, we'll go over every absurd detail about the new Buzzy Bees update coming to all platforms December 10 and 11. If you've been wondering what all of the fuss is about spoiler the game deserves the praise, then Minecraft is available on almost every platform imaginable. They're a fan of flowers so they have a higher chance of spawning in places that have a lot of flowers and the specific trees that they enjoy. This includes the plains, sunflower plains, and particularly the uncommon flower forest biome. On top of that, trees infrequently spawn in two of the three biomes that bees can appear in, making them even more rare. This is when the bees are either neutral, carrying pollen, or provoked. Most of their time will be spent in search of flowers near their hive to collect pollen from, and the rest of it will be spent chilling out in their nests with their family. Unless a bee is otherwise provoked by being attacked or having its hive or nest sabotaged, it will not attack any players. They will stay in their nest for at least 2 full minutes whenever they return to it, before heading back out. They'll take turns exiting their nests, so it's uncommon to see the entire family out at once. This also happens to be their favorite thing in the world to do, so you don't have to push much to get them in the mood.

While it's possibly random, bees seem to choose flowers. Once they've found a suitable choice, the bee will circle the flower multiple times before it picks up its pollen. The appearance of a bee carrying pollen changes, and their fuzzy butts become covered in pollen. You'll also notice a particle effect as pollen drops off the bees as they fly around. If any of those aforementioned pollen particles that fall off a bee comes in contact with a plant or crop that isn't fully grown, that fauna will move forward one stage of growth. Much like using bone meal. Once a bee has acquired its bounty, it'll make its way back to its nest. If a bee returns to its nest carrying a load of pollen, the nest fills up with a little honey. These guys have bright red eyes and aren't very happy with basically anyone in the area. You'll want to avoid getting bees angry, because they're a danger to you and also to

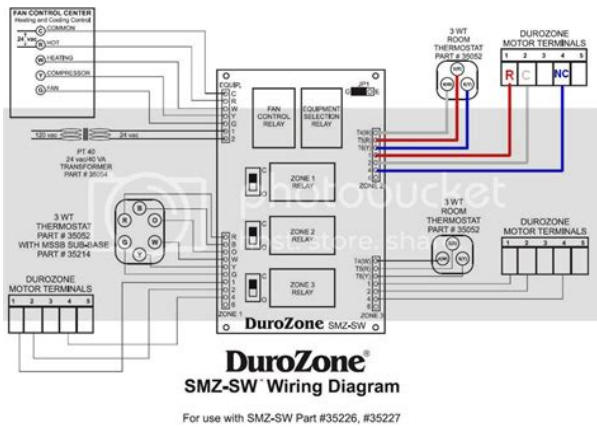
themselves. While bees are normally quite friendly, they will not hesitate to defend their own. Whenever a bee turns aggressive, their eyes will turn red and all bees in the immediate area attempt to swarm the player. If a player attacks or injures a bee; if the nest or hive is destroyed by a player; or if a player harvests honey from a nest or hive. Any of these things will cause all bees in the area to turn aggressive. If a player wishes to harvest honey from a nest or hive without being attacked, placing a campfire under it will placate the bees. The smoke calms them so that they do not attack. Probably to no surprise, bees attack players and other threats by stinging them. These stingers inflict only 12 hearts of damage depending on the game's difficulty, but they also inflict poison damage that deals 34 hearts of damage over time. Individual bees can only do so much with their stingers, so they're not much to worry about. However, three or four bees attacking in unison can quickly overwhelm an unprepared player.



<http://superbia.lgbt/flotaganis/1647771581>

Much like in the real world, a bee will lose its stinger and subsequently die after attacking. A bee dies approximately one minute after stinging. While this means that a bee has limited potential to harm a player, it does mean that a single provocation can lead to every bee in the area inadvertently dying. Keep in mind, crafting beehives still require an original source of bees, but once you have a small group you can breed your own bees into a bustling society. Even better, building your own beehive is incredibly easy as long as you can find a bee nest somewhere in your Minecraft game. After a bee deposits pollen in a bee nest or hive five times, its appearance will change and it'll start dripping with honey. It should drop three honeycombs, which you'll definitely need. Take your new honeycomb with some wood to a crafting table and create a sandwich with the planks on top and bottom and the honeycomb in the center. There's no real limit to the number of hives you can create. Beehives are also able to be broken and moved around as much as you want, unlike bee nests which require a tool enchanted with Silk Touch. Using a tool enchanted with Silk Touch on a hive or nest will break it with all the bees preserved inside, so that you can move all of them at once. Well as usual Mojang has been thorough, and they're also introducing a variety of ways to either breed your own bees or lead new ones to the home of your choice. Find two bees that are close to each other. Cows need wheat, pigs need carrots, bees need flowers. If the bees are ready to breed, they should start emitting a bunch of hearts. After a few seconds, a baby bee should pop into existence near the two adult bees. Every time a bee breeds, it requires five or so minutes before it's ready to breed again. Beyond that, a baby bee takes about two full in-game days to grow into an adult. The player can hasten this process by feeding the baby bee flowers.

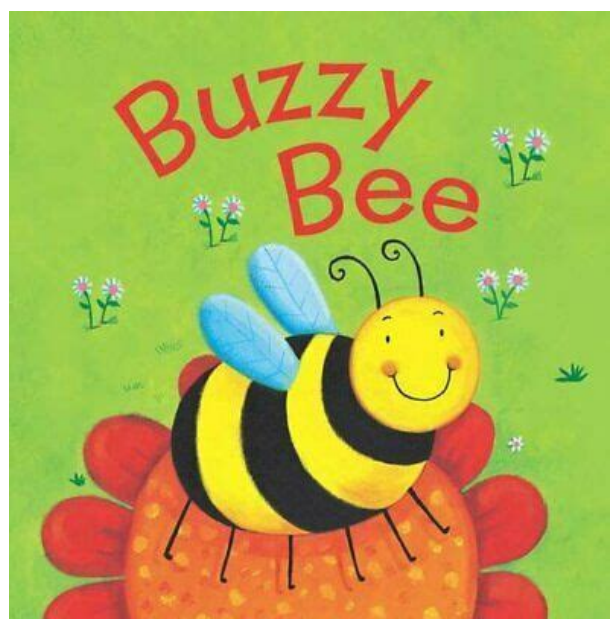
<https://www.efg-badoeynhausen.de/images/brandt-oven-manual-english.pdf>



DuroZone
SMZ-SW Wiring Diagram
 For use with SMZ-SW Part #35226, #35227

Using this process, the player only has to procure two original bees in order to have a near infinite supply. Alternatively, using a lead is another way of collecting a few bees. Bees have a surprisingly large radius in which they'll search for a new home, meaning the player can introduce bees to your artificial hives by simply growing the population beyond what the original nest can support. For this particular method to work, its doubly important to have a campfire handy to subdue the bees before destroying their nest. There are a few ways you can ensure bees do their jobs If you have a lot of crops that could benefit from their presence, the more bees you have the better. Bees drop pollen and fertilize crops as theyre travelling between flowers and their hive home. Having a ton of flowers around your crops will encourage bees to stay close. Force your bees to have to fly directly over your crops during trips to and from their flowers. On their return trip, its almost guaranteed that theyll pollinate some crops. You can also build a pseudogreenhouse by erecting a glass dome over the whole operation. If your bees cant meander, they cant waste their precious pollen elsewhere. Wouldnt be hard to fill chests with food when you have a near harvest ready to collect every few seconds. All of these items are either harvested from bee nests and hives, or crafted from ingredients collected from them. Honey can be collected from a bee nest or hive that is full of honey. Honey is a food item that restores 3 bars of hunger and also cures poison if the player is affected. It is also used to craft honey blocks, and can be converted to sugar for other recipes. Anytime you do so youll get three honeycombs, which is the perfect amount to build a manmade beehive. Honeycomb can also be used to craft a new decorative block added to Minecraft.

<http://aquaer.com/images/brandt-service-manuals.pdf>



Much like terracotta, honeycomb blocks are only there to spice up the look of your humble abode, but I'm positive someone out there will do something incredible with these things. Honey and honeycombs come off as means to an end, rather than a fully unique and new addition to Minecraft. Honey blocks, on the other hand, are versatile blocks that bring with them a whole new host of mechanics that should make for a new bout of creativity. Here's a quick run down. To be precise, four glass bottles of honey combined via crafting table will lead to one honey block. As they are made of honey, honey blocks are sticky. What this means is that mobs and players cannot jump nor run while they're standing on honey blocks; items and other blocks will stick to a honey block, even while moving; honey blocks greatly slow your fall, leading to some interesting parkour possibilities. One of the most exciting things about honey blocks is that they behave very similarly to slime blocks, except for two things: slime blocks bounce items, mobs and players rather than stick to them, and honey blocks do not allow a redstone signal to pass through them. This may not mean much to more casual Minecraft players, but to redstone wizards the gears have already started turning in their heads. Just in time for the holiday season! What's your favorite part. Share the buzz down in the comments! These are some of our favorite Minecraft accessories. These awesome books make for a great gift, or learning experience for a younger loved one! Thankfully, it doesn't explode. Learn more. This new plan would include India and Europe and excluding China. But the inside is a feat of engineering that no other company has yet achieved. CNET's video shows how it all looks on the inside, and we hear from Microsoft's Panos Panay on what makes Surface Duo so unique. The older version of Microsoft's browser is set to lose support in March of 2021. Already involved and want to ameliorate your gaming experience.

Check out these awesome accessories. You can unsubscribe at any time and we'll never share your details without your permission. A bright crystal produced in 3D printing polymer is hidden inside the lamp. Two extremes are connected with exactitude on one side: the tradition of manual skills and on the opposite an advanced technology. The French artist has gained international recognition since 1985 and collaborated with international luminaries for public or private institutions around the world. Dreyfus is the light behind some of the most notable fashion shows around the world with long-term collaborations including Helmut Lang, Dior, Diane Von Furstenberg, Victoria Beckham and Jil Sander among others. Light may come with a dimmer switch. A bright crystal produced in 3D printing polymer is hidden inside the lamp. Two extremes are connected with exactitude on one side: the tradition of manual skills and on the opposite an advanced technology. The French artist has gained international recognition since 1985 and collaborated with international luminaries for public or private institutions around the world. Dreyfus is the light behind some of the most notable fashion shows around the world with long-term collaborations including Helmut Lang, Dior, Diane Von Furstenberg, Victoria Beckham and Jil Sander among others. Light may come with a dimmer switch. Here you have the option to kayak around this stunning coastline; optional activity as well as the opportunity to visit Hot Water Beach included; a unique surf beach where if you catch the tide right, you can dig a hole in the sand to create your own personal spa pool. If that isn't enough fun for one day, then never fear, next we'll be heading over to Waitomo wai meaning water, tomo meaning hole for a magical tour of the world-famous glowworm caves. For those feeling a little more adventurous, you will have the opportunity to experience a Black Water Rafting trip.

<http://quickfix-poland.com/wp-content/plugins/formcraft/file-upload/server/content/files/1626ea0cf0bc29---bosch-logixx-easy-access-freezer-user-manual.pdf>

Next, we'll pass through The Shire of Hobbiton where you'll have the opportunity to discover the Hobbiton Movie Set; optional activity before rolling on through to Rotorua; a mystical land of bubbling mud pools, rocketing geysers and natural hot springs. Optional activities which are not included are luging down the SkyLine, White Water Rafting, Hells Gate, Mountain biking through the Redwoods, Zorb, Waiotapu, Polynesian Spa or National Kiwi Hatchery. In Taupo there is lots to

do, just tell us what you're in the mood for and we'll get you there. The lake itself actually an extinct volcano crater is a sight to behold from the shoreline included, but the more adventurous might want to take the opportunity to experience optional activities such as sail across the lake on a yacht to the Maori rock carvings, or even get a birdseye view by skydiving above it. Head up the Sky Waka extra activity to experience Mount Ruapehu or hike the Tongariro Alpine Crossing extra activity; a dramatic landscape of stunning contrasts created by extinguished lava flows and emerald lakes. It's no surprise Tongariro is often described as one of New Zealand's best oneday hikes. In the afternoon we travel through to the ultimate adventure lodge River Valley, situated amongst towering cliffs and bushclad hills. The lodge offers grade five rafting on the Rangitikei River, scenic horse riding and an amazing dinner with homegrown produce. Spend the evening enjoying the delicious roast dinner and relaxing by the open fire. We arrive in Wellington late in the afternoon. This city is the undisputed capital of culture, the arts, restaurants, fashion and nightlife. Here you can experience Mount Victoria included and then passengers have the opportunity to experience the national museum, Te Papa and get amongst the thriving craft beer scene. Travel through vineyards to Nelson, New Zealand's sunniest city, then on to Kaiteriteri at the edge of the Abel Tasman National Park.

Kaiteriteri is a great spot to begin an adventure on foot, by kayak or by water taxi into Abel Tasman National Park, or see it all from above by jumping out of a plane ! This afternoon we stop at the iconic Nelson Lakes, so you can get your legendary wharf jumping shot before hitting surf town Westport. The road winds through a diverse series of landscapes which never cease to amaze. Highlights today include the Cape Foulwind seal colony walk, rugged beaches, and the Punakaiki Pancake Rocks. Tonights unique accommodation is a chance to enjoy a delicious group meal and bond with your bus mates. For those wanting something a little more special to take home with them; passengers can carve their own greenstone necklaces pounamu. Franz Josef is the northern gateway to Te Wahipounamu, the Southwest New Zealand World Heritage area. We factor in a free day in Franz Josef so that you can get out there and experience what Franz Josef has to offer. It's a wicked spot and whatever you get out and do, you will be blown away by the views of the glacier and Alps. We then cruise down the last stretch of Highway 6, stopping at popular scenic spots along the way. Then it's into Mount Aspiring National Park, arriving in the aweinspiring destination of Wanaka in the afternoon. Only the brave will sign themselves up for this iconic New Zealand activity. On arrival in Queenstown, we will head down to the spectacular waterfront before it's out on the town exploring Queenstown's infamous nightlife with all the crew! Simply click on the link we sent you to confirm your email address. Then your ebook will be on its way. We hope it will help you find what you are looking for. We might be able to answer your question immediately. Guides are your signpost, interpreter and advisor. For some adventures they lead you in remote areas where it's better if a Thai speaking person is with you. It is an adventure that leads you to different coordinates.

Actually it's a kind of contest, but it can also be ridden as a normal tour with beautiful views. See details of this item on our booking page. In general the minimum group size for joinin adventures is 2 and maximum 8. Exceptions are possible and indicated during booking. For bigger groups we can organize a private adventure on request. We offer short cycling adventures, halfday cycling adventures and fullday adventures. But whatever adventure you would like to do, we can do it for you. If you would like to organize other activities as part of your adventure, just ask and we will find out how we can help you. Contact us now to get a quote. Of course this also applies for making sure that you see and are being seen by other traffic. Rain usually falls in the late afternoon, in the evening or in the night. In case of rain we provide poncho's. This can also be a good idea on the heavier adventures in the cold season, because you can still become sweaty. On purpose the Ebikes are only available in one size. This is because we think Ebiking in Thai traffic is not suitable for younger children. Kids are not used to Thai left hand traffic, not used to a selfpowered bike and they are easily distracted. So for everyone's safety we have chosen not to facilitate smaller bikes. If you

have small children we also offer one of the parents to stay at our place. Here facilities are available, while the other parent goes cycling with the older children. Guides are your signpost, interpreter and advisor. For some adventures they lead you in remote areas where it's better if a Thai speaking person is with you. This selfguided adventure leads you to different coordinates and actually is a kind of contest, but can also be ridden as a normal tour with beautiful views. See details of this item on our booking page. Terms and conditions will be visible during the booking process, including cancellation policy. You will get a confirmation in your email.

All payments are conducted on a secure server, so your payments are well protected. Most common reason is using a Thai simcard. If you have the Paypal app on your phone the screen will use the language that is selected in your app, but if you don't have the app it will select the language matching your simcard. If you click on this dropdown menu you can select English. Possibility to pedal with pedal assist, or even full electric. Of course the action radius depends on the chosen level of assist. All adventures have been adapted to the battery capacity. So if you use too high level of pedal assist, you will encounter yourself. Each bike comes with a helmet. Wearing of the helmet is compulsory. We also have gloves available. If you wish to wear other protection you will have to bring it yourself. This can also be a good idea on the heavier adventures in the cold season, because you can still become sweaty. The saddle can be adjusted, but we advise a minimum length of about 150 cm. We also think that our Ebikes and adventures are less suitable for children, that's why we decided not to offer smaller bicycles. If you have small children we also offer one of the parents to stay at our place, where facilities are available, while the other parent goes cycling with the older children. From there we bring you to our location. The estimated pickup time will be confirmed the day before. We offer short adventures, halfday adventures and fullday adventures for individuals and groups. From May 7 2019 we also provide a NONguided adventures, our full day Hive Hunt Adventure Not the big tourist sites, but the smaller, equally interesting sites and the real local life experience. The details can be found on the adventures booking pages. Of course the saddle can be adjusted, but we advise a minimum length of about 150 cm. We also think that our Ebikes and adventures are less suitable for children, that's why we decided not to offer smaller bicycles.

If you have small children we also offer one of the parents to stay at our place, where facilities are available, while the other parent goes cycling with the older children. Our guests can book through the website till 14 hours before start of the adventure till 6.30 pm. If you want to book in the evening for the very next day, please contact us by email or telephone and we will try to fit you into our program. Most common reason is using a Thai simcard. If you have the Paypal app on your phone the screen will use the language that is selected in your app, but if you don't have the app it will select the language matching your simcard. If you click on this dropdown menu you can select English. Our payment security system encrypts your information during transmission. We don't share your credit card details with thirdparty sellers, and we don't sell your information to others. If you have a card, you can add it in checkout. Please try again. Please try again. In order to navigate out of this carousel please use your heading shortcut key to navigate to the next or previous heading. Register a free business account Please try your search again later. To calculate the overall star rating and percentage breakdown by star, we don't use a simple average. Instead, our system considers things like how recent a review is and if the reviewer bought the item on Amazon. It also analyzes reviews to verify trustworthiness. Please try again later. Dixie 1.0 out of 5 stars I purchased buzzy July 1 2016. Almost 1 year and two months ago. I used it twice since then. I recently pulled it out to pack it for my little guys next shot, but it was so loud and not vibrating as strongly as last time. I called the company today. They immediately knew what the problem was. They said the motor came loose. Since my warranty was for a year and ended July 1 2017 there was not anything they could do. They suggested I put some foam or hot glue on the motor and maybe that would help. It did not.

This product only lasted a year being used only twice. I usually have to hold him down. I bought Buzzy thinking it was worth a try. When I told him we had to go for a blood test, I gave it to him, told him what it was, and let him play with it in the car on the way there. When we arrived, he walked right in, waited calmly for his turn, then walked over and sat right down in the chair. Weekend he was called. He happily told the phlebotomist he had a special toy that was going to make the blood draw hurt less, and we tied it to his arm. He winced a bit during the draw, but no screaming, no trying to run away, and when it was done, he said it wasn't so bad. Unbelievable change from the last few instances. We will be using Buzzy every time from now on. My wife swears by it. It numbs the spot, and makes the shot giving that much easier. At age 10 he became violent towards the doctor if he even thought she was going to give him a shot. Well he needed blood work and his middle school immunization done so I researched the best ways to comfort him and Buzzy came up in the search engine. We went to have his blood drawn on Saturday morning and arrived to another screaming patient having to be dragged out of the office by his father and I knew that I was going to suffer the same fate but I had a Buzzy with me. I had to explain it to my son and we watched videos on YouTube so after some mental preparation and two frozen ice packs, I'm proud to say not only did he receive compliments for his behavior but the phlebotomist applauded me for being prepared with Buzzy. We froze both ice packs and took them in a cooler to her doctor's office. Explained to the dr and nurse that we wanted to use it. They were both intrigued to see if this would work. Our pediatrician even stated if he worked he would look to order them for his office. We watched the instructional videos online and read the booklet that came with Buzzy. Turned it on and did 4 shots in her thighs.

Placed them in the correct places and nothing. Something to take the pain away when she has to change her dexcom. She absolutely loved it and I was happy not to give her another dumb toy that'd get thrown away in a week. Her Mom has also said it helps a LOT. I highly recommend this as a child's gift for anyone who gets allergy shots or any other type of regular shot. They are actually excited to get a shot to show me that they are so brave with the Buzzy. I am also in healthcare and recommended this to one of my patients who desperately needed to start insulin but was terrified to do so. Now with Buzzy, she has the confidence to do it and her blood sugars are in the normal range. This little thing can save lives for people! My 3 yr old granddaughter receives very painful injections that take a full 10 seconds to administer from time needle goes in until med is delivered. She screams the entire count of 1-10. Second time using Buzzy NOT ONE TEAR. I am so grateful to Buzzy for helping my granddaughter get through this painful experience with little or no pain. Sorry, we failed to record your vote. Please try again Es todo un descubrimiento que su doctor nos recomienda. Estamos encantados. La recomiendo!!!! Sorry, we failed to record your vote. Please try again Sorry, we failed to record your vote. Please try again Sorry, we failed to record your vote. Please try again Sorry, we failed to record your vote. Please try again Sorry, we failed to record your vote. Please try again Sorry, we failed to record your vote. Please try again In order to navigate out of this carousel please use your heading shortcut key to navigate to the next or previous heading. We recommend that you do not solely rely on the information presented and that you always read labels, warnings, and directions before using or consuming a product. For additional information about a product, please contact the manufacturer.

<http://gbb.global/blog/3m-700rks-manual>